


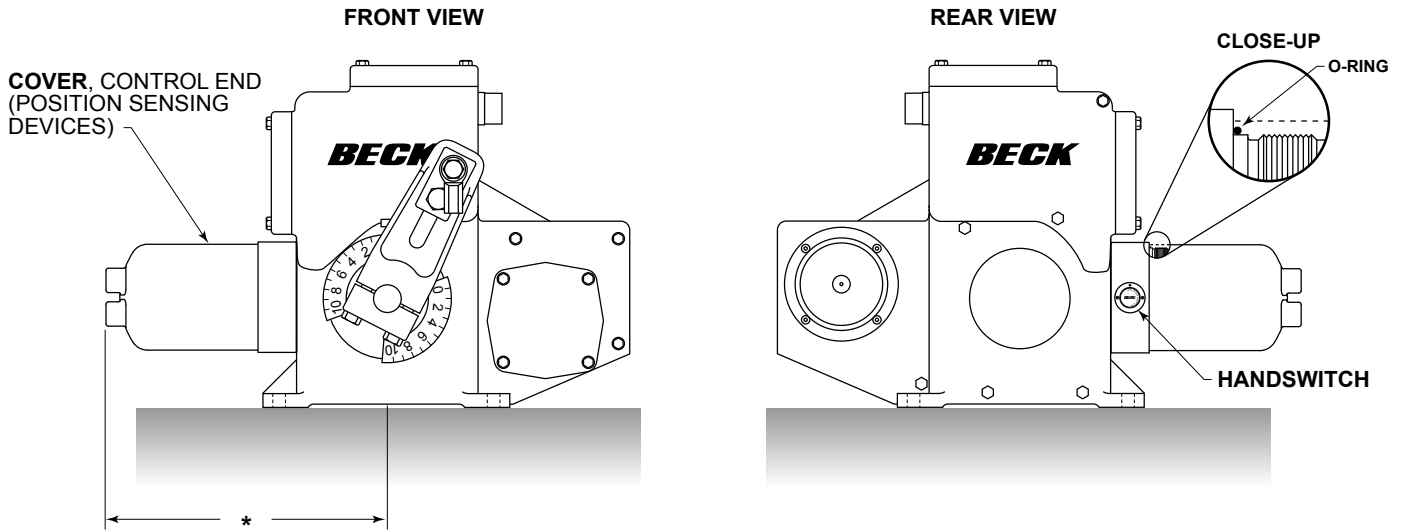


BECK®

BECK GROUP 11, 11E & 11H HAZARDOUS LOCATIONS DRIVES

Hazardous Location Ratings	Description / Function	Available Models	
Class II Div. 2 Groups F & G <i>also</i> ATEX Zone 22	Hazardous location rating for abnormal conditions in areas where combustible dusts may be present. Standard wiring diagrams apply.	<u>All Options</u> 11-150, -160 11-200, -260 11-300, -360 11-400, -460	
Class I Div. 2 Groups A,B,C & D	Hazardous location rating for abnormal conditions in areas where combustible gases may be present. Drives supplied without hand and limit switches.	<u>Options 6,7,8 & 9</u> 11H-150, -160 11H-200, -260 11H-300, -360 11H-400, -460	
Class I Div. 2 Groups C & D <i>also</i> ATEX Zones 2 & 22	Hazardous location rating for abnormal conditions in areas where combustible gases may be present. Drives supplied with switches in a special control end housing.	<u>All Options</u> 11E-150, -160 11E-200, -260 11E-300, -360 11E-400, -460	

GROUP 11E CONTROL DRIVE OUTLINE (MODEL 11E-200 SHOWN)



* Allow an additional 3 1/16" for length (base dimension varies per drive model and is listed in the appropriate instruction manual).
For cover removal, allow 6".

OTHER **BECK** HAZARDOUS LOCATION MODELS



Group 31 Rotary Actuators

- Class I, Div. 1, Group D
- Class II, Div. 1, Groups E, F & G
- Class III, Div. 1 & 2



Group 29 Linear Valve Actuators*

- Class I, Div. 2, Groups C & D
- Class II, Div. 2, Groups F & G
- ATEX Zones 2 & 22

*All ratings may not apply to all sizes--consult factory for details.



Group 42 Linear Actuators

- Class II, Div. 1, Groups E, F & G
- Class II, Div. 2, Groups F & G

BECK® **HAROLD BECK & SONS, INC.**

11 TERRY DRIVE • NEWTOWN, PENNSYLVANIA 18940 • USA
PHONE: 215-968-4600 • FAX: 215-860-6383 • E-MAIL: sales@haroldbeck.com
www.haroldbeck.com