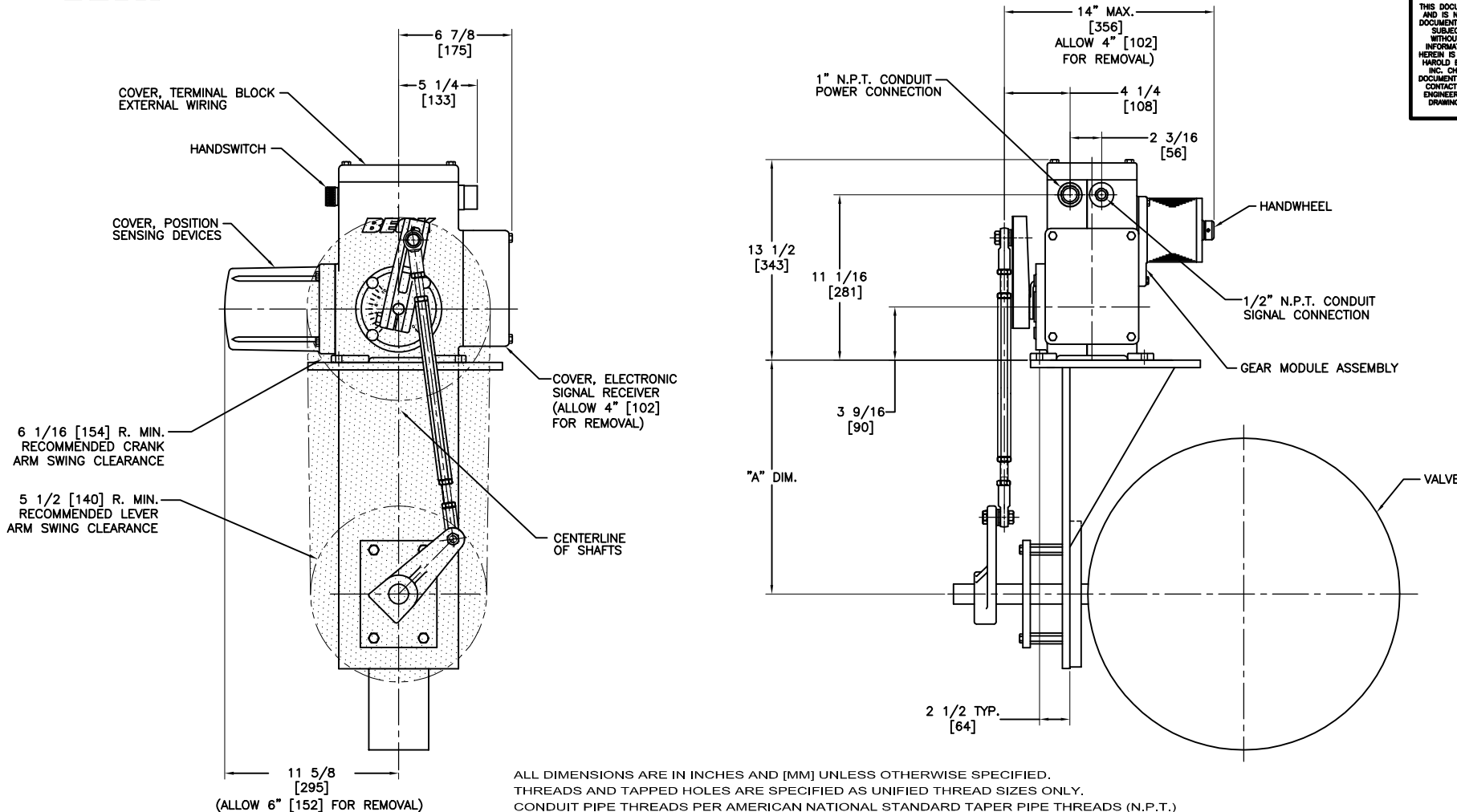


THIS DOCUMENT IS A COPY AND IS NOT THE SOURCE DOCUMENT. INFORMATION IS SUBJECT TO CHANGE WITHOUT NOTICE. THE INFORMATION CONTAINED HEREIN IS COPYRIGHTED BY HAROLD BECK AND SONS, INC. CHANGES TO THE DOCUMENT ARE PROHIBITED. CONTACT A BECK SALES ENGINEER IF A CERTIFIED DRAWING IS REQUIRED.



NOTES:
 ALL DIMENSIONS ARE TYPICAL
 TOLERANCES: ±1/4 [±6]
 IF SPECIFIC DIMENSIONS ARE REQUIRED,
 PLEASE CONTACT A FACTORY REPRESENTATIVE
 SCREW TORQUES FOR MOUNTING HARDWARE
 WILL BE SUPPLIED WITH SPECIFIC VMS.

RECOMMENDED SCREW TORQUES			
	SIZE (IN.)	TORQUE (LB-FT)	TORQUE (Nm)
CRANK ARM SCREW	1/2-13	75	102
ROD END SCREW	1/2-13	35	47
ROD END LOCK NUT	1/2-13	55	75
COVER SCREWS	5/16-18	10	14
MOTOR/GEAR MODULE SCREWS	1/4-20	6	8
BODY SCREWS	5/16-18	10	14
BODY SCREWS	3/8-16	20	27



VALVE SIZE	3"	4"	6"	8"	10"	12"
"A" DIM	8-1/2 [216]	8-1/2 [216]	8-1/2 [216]	8-1/2 [216]	8-1/2 [216]	8-1/2 [216]

18-0150-020

HAROLD BECK & SONS INC.
 VALVE ACTUATOR DIVISION

TITLE: OUTLINE DIMENSIONS FOR UNITIZED ASSEMBLIES OF BECK 11-150 DRIVES & TYPICAL BUTTERFLY & BALL VALVES

DRAWN: [] SCALE: NONE DRAWING NO: 18-0150-020 REV: D
 CHECKED: [] DATE: 12-20-10
 APPROVED: [] SHEET NO. 1 OF 1