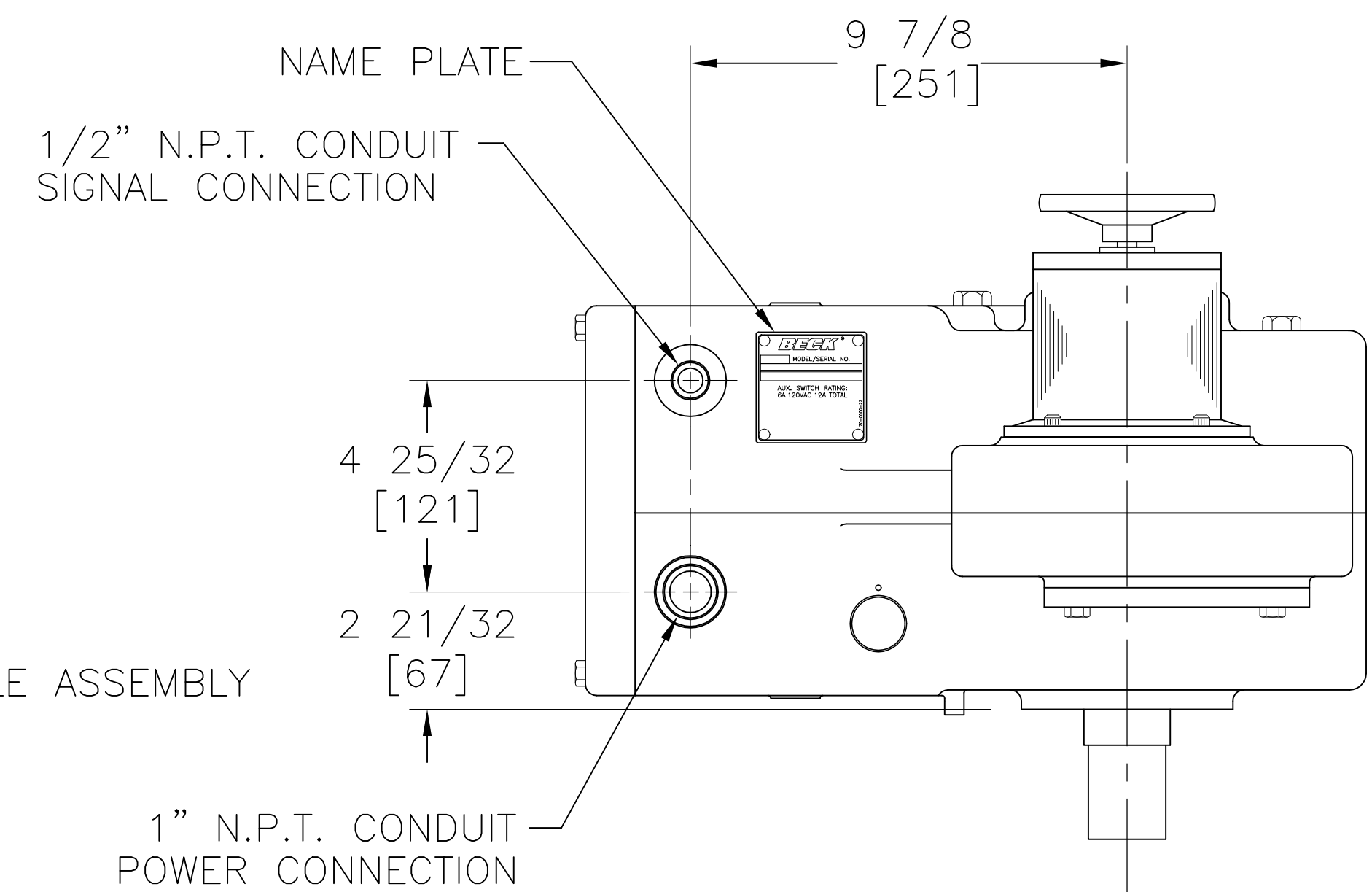
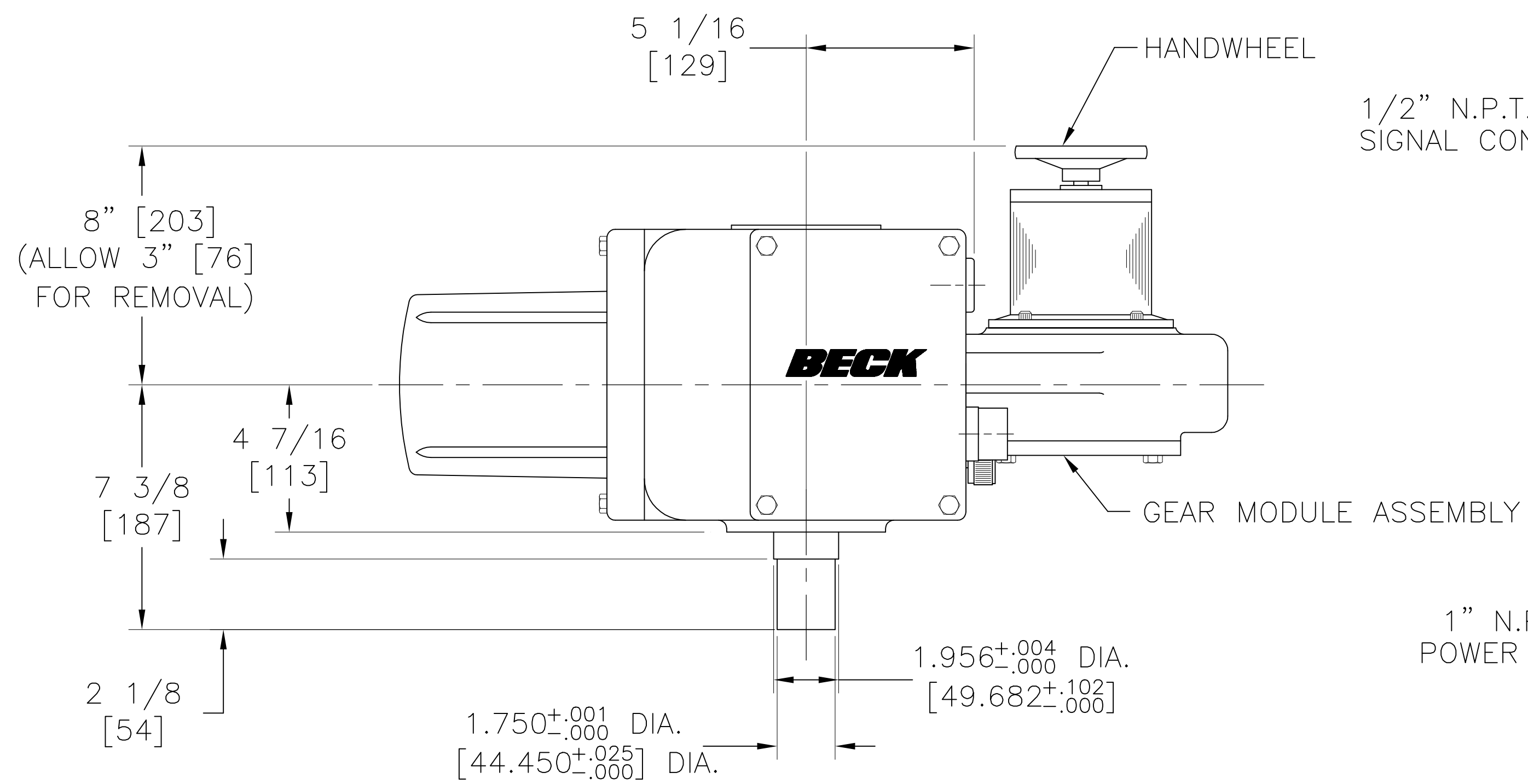
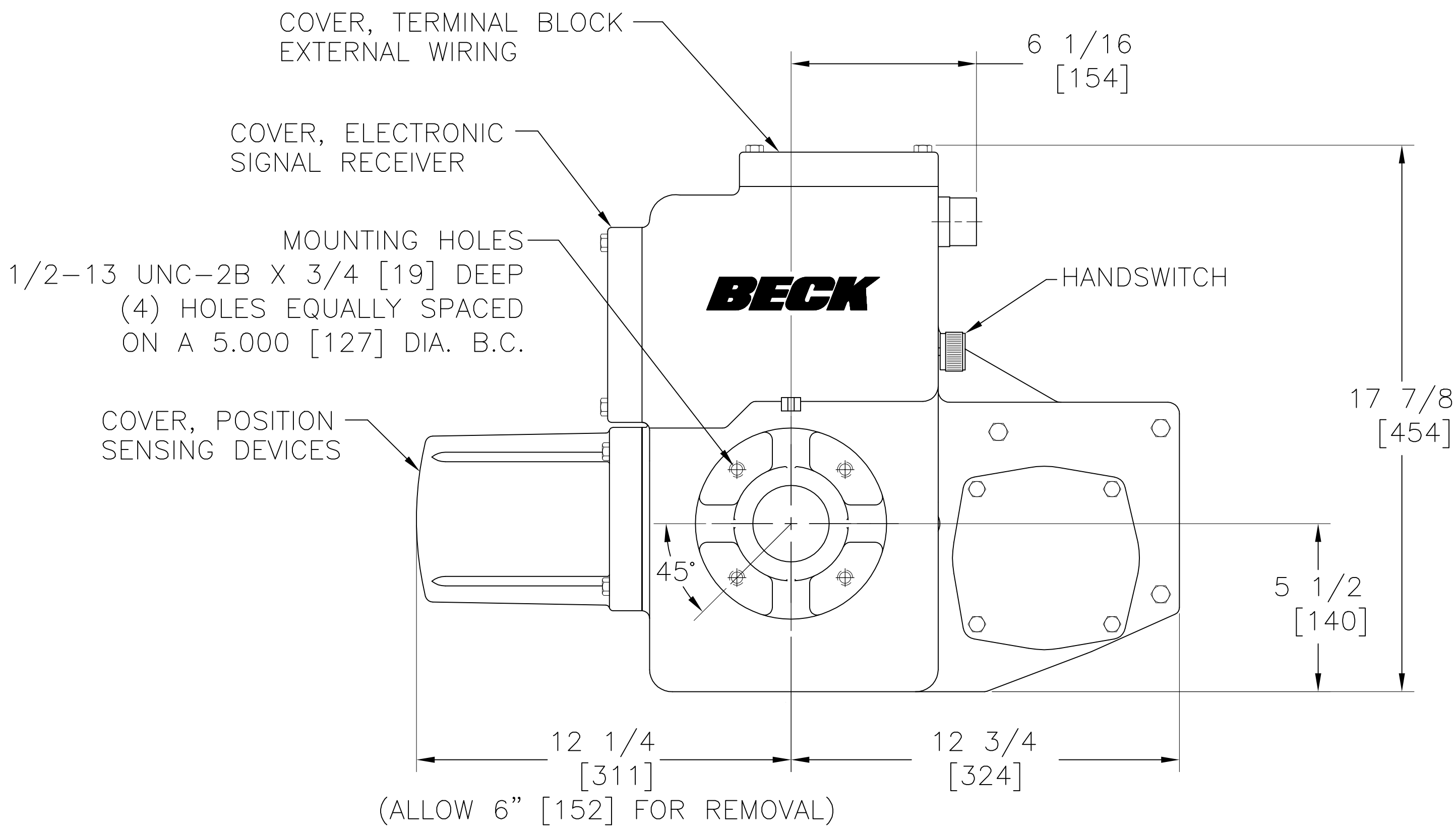
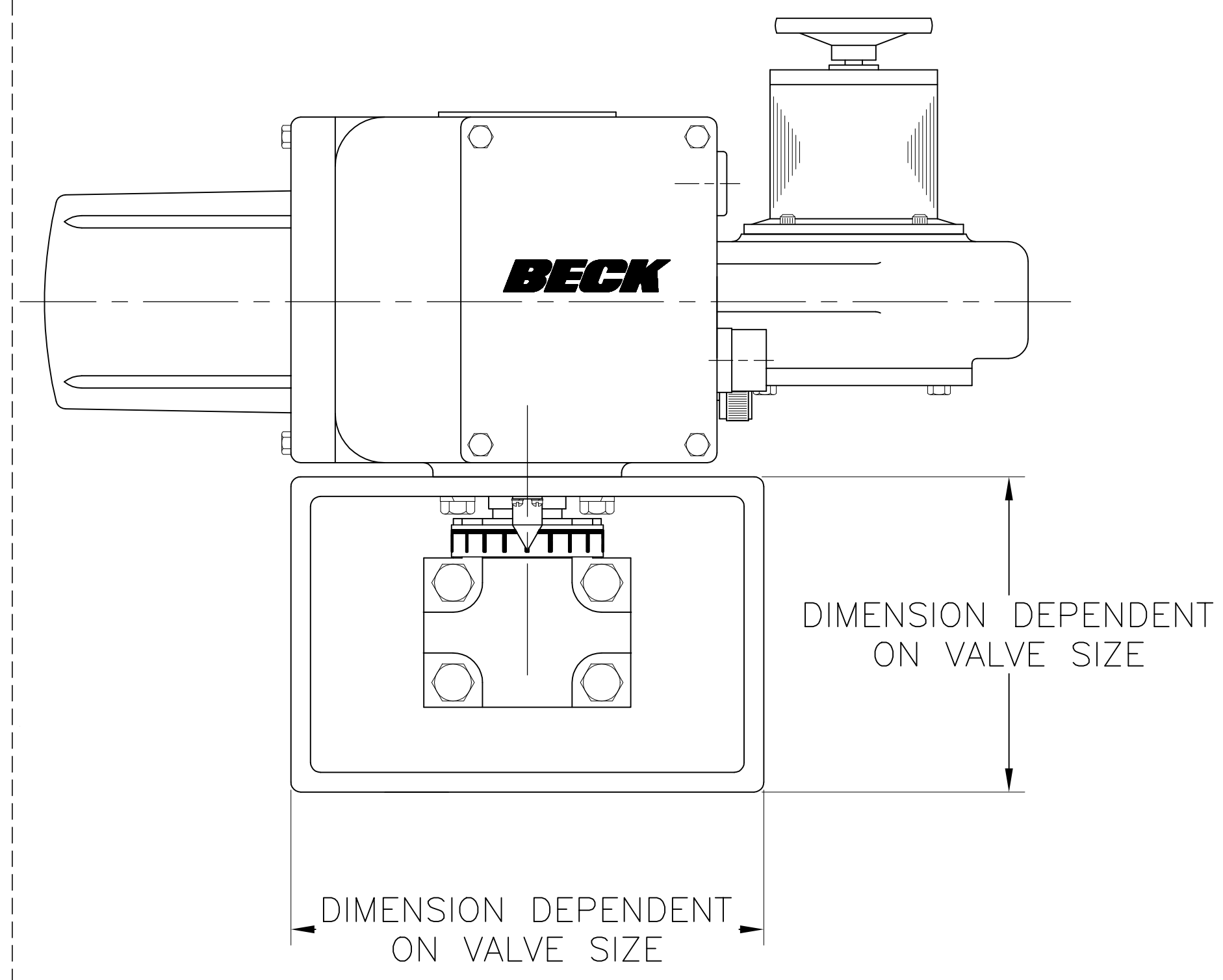


THIS DOCUMENT IS A COPY AND IS NOT THE SOURCE DOCUMENT. INFORMATION IS SUBJECT TO CHANGE WITHOUT NOTICE. THE INFORMATION CONTAINED HEREIN IS COPYRIGHTED BY HAROLD BECK AND SONS, INC. CHANGES TO THE DOCUMENT ARE PROHIBITED.



BASIC CONTROL DRIVE WITH MOUNTING HARDWARE



TOLERANCES:  
 OUTLINE DIMENSIONS ±1/4 [±6]  
 MOUNTING DIMENSIONS ±1/16 [±2]

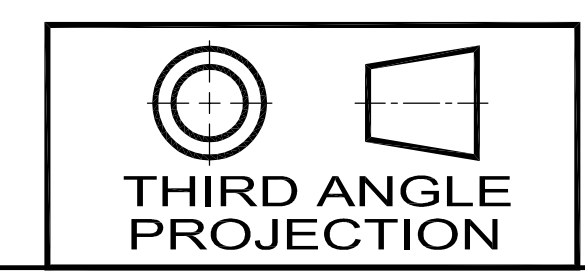
ALL DIMENSIONS ARE IN INCHES AND [MM] UNLESS OTHERWISE SPECIFIED.  
 THREADS AND TAPPED HOLES ARE SPECIFIED AS UNIFIED THREAD SIZES ONLY.  
 CONDUIT PIPE THREADS PER AMERICAN NATIONAL STANDARD TAPER PIPE THREADS (N.P.T.)

RECOMMENDED SCREW TORQUES			
	SIZE (IN.)	TORQUE (LB-FT)	TORQUE (Nm)
COVER SCREWS	5/16-18	10	14
GEAR MODULE SCREWS	5/16-18	10	14
MOTOR SCREWS	1/4-20	6	8
BODY SCREWS	3/8-16	20	27
BODY SCREWS	1/2-13	50	68
CONTROL END COVER SCREWS	5/16-18	10	14
COUPLING SCREWS	5/8-18	170*	230*
MOUNTING BRACKET SCREWS	1/2-13	50	68

\*MAY VARY PER APPLICATION. REFER TO VALVE MOUNTING SPECIFICATION SHEET SHIPPED WITH YOUR DRIVE.

BECK DRIVE MODEL NO.	TORQUE RANGE	APPROX. WEIGHT
11-360	300 TO 650 LB.-FT. 407 TO 881 Nm	115 LBS. 52 KGS.

18-0360-01o



SIZE: **D**

**HAROLD BECK & SONS INC**  
NEWTOWN INDUSTRIAL COMMONS NEWTOWN, PENNSYLVANIA 18940 USA

TITLE: **OUTLINE DIMENSIONS  
BECK 11-360 DRIVE**

DRAWN: DWK 11-8-07	SCALE: NONE	DRAWING NO: <b>18-0360-01o</b>	REV: <b>D</b>
CHECKED: DMS 11-12-07			
APPROVED: JHM 11-12-07		SHEET NO. 1 OF 1	