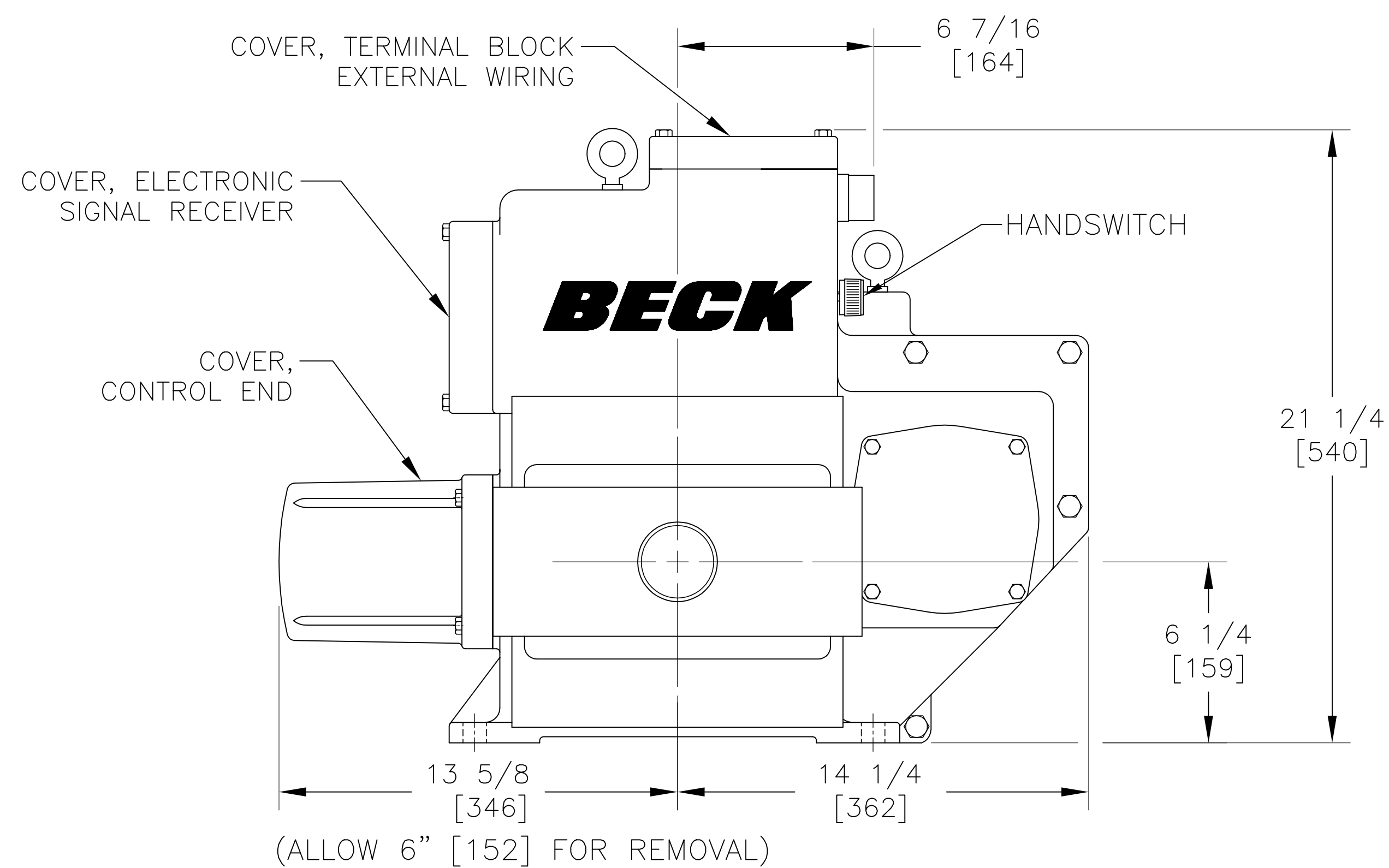


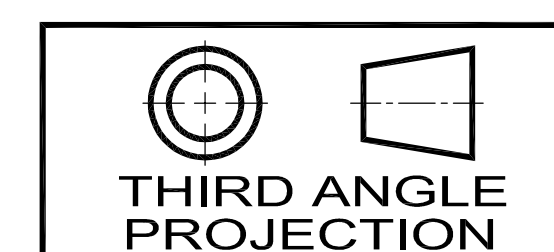
THIS DOCUMENT IS A COPY AND IS NOT THE SOURCE DOCUMENT. INFORMATION IS SUBJECT TO CHANGE WITHOUT NOTICE. THE INFORMATION CONTAINED HEREIN IS COPYRIGHTED BY HAROLD BECK AND SONS, INC. CHANGES TO THE DOCUMENT ARE PROHIBITED. CONTACT A BECK SALES ENGINEER IF A CERTIFIED DRAWING IS REQUIRED.

ALL DIMENSIONS ARE IN INCHES AND [MM] UNLESS OTHERWISE SPECIFIED. THREADS AND TAPPED HOLES ARE SPECIFIED AS UNIFIED THREAD SIZES ONLY. CONDUIT PIPE THREADS PER AMERICAN NATIONAL STANDARD TAPER PIPE THREADS (N.P.T.)



NOTES:  
 ALL DIMENSIONS ARE TYPICAL.  
 TOLERANCES: ±1/4 [6].  
 IF SPECIFIC DIMENSIONS ARE REQUIRED, PLEASE CONTACT A FACTORY REPRESENTATIVE.  
 \* SCREW TORQUES FOR MOUNTING HARDWARE WILL BE SUPPLIED WITH SPECIFIC VALVE MOUNTING SPECIFICATION.  
 DRIVE MAY BE ROTATED AROUND THE VALVE IN 90° INCREMENTS.

RECOMMENDED SCREW TORQUES			
	SIZE (IN.)	TORQUE (LB-FT)	TORQUE (Nm)
COVER SCREWS	5/16-18	10	14
GEAR MODULE SCREWS	5/16-18	10	14
MOTOR SCREWS	3/8-16	16	22
BODY SCREWS	3/8-16	20	27
BODY SCREWS	1/2-13	50	68
CONTROL END COVER SCREWS	5/16-18	10	14
COUPLING SCREWS	5/8-18	170*	230*
MOUNTING BRACKET SCREWS	5/8-11	100	136



18-0460-02o

**HAROLD BECK & SONS INC**  
 NEWTOWN INDUSTRIAL COMMONS NEWTOWN, PENNSYLVANIA 18940 USA

TITLE: **OUTLINE DIMENSIONS FOR UNITIZED ASSEMBLIES OF A BECK 11-460 DRIVE AND A TYPICAL VALVE**

DRAWN: DWK 11-7-07	SCALE: NONE	DRAWING NO: <b>18-0460-02o</b>	REV: <b>B</b>
CHECKED: GMD 11-12-07			
APPROVED: JHM 11-12-07		SHEET NO. 1 OF 1	

SIZE: **D**