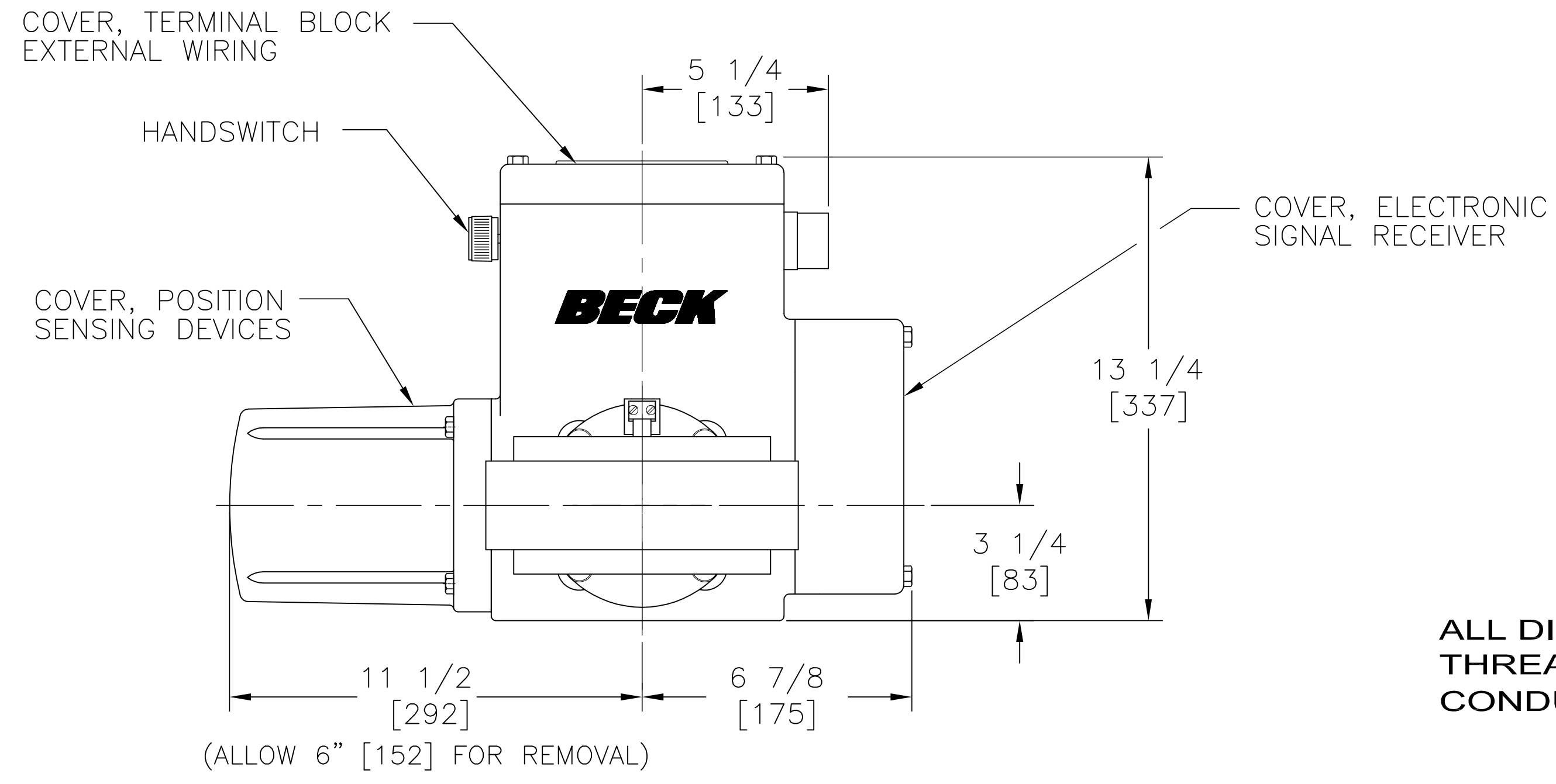
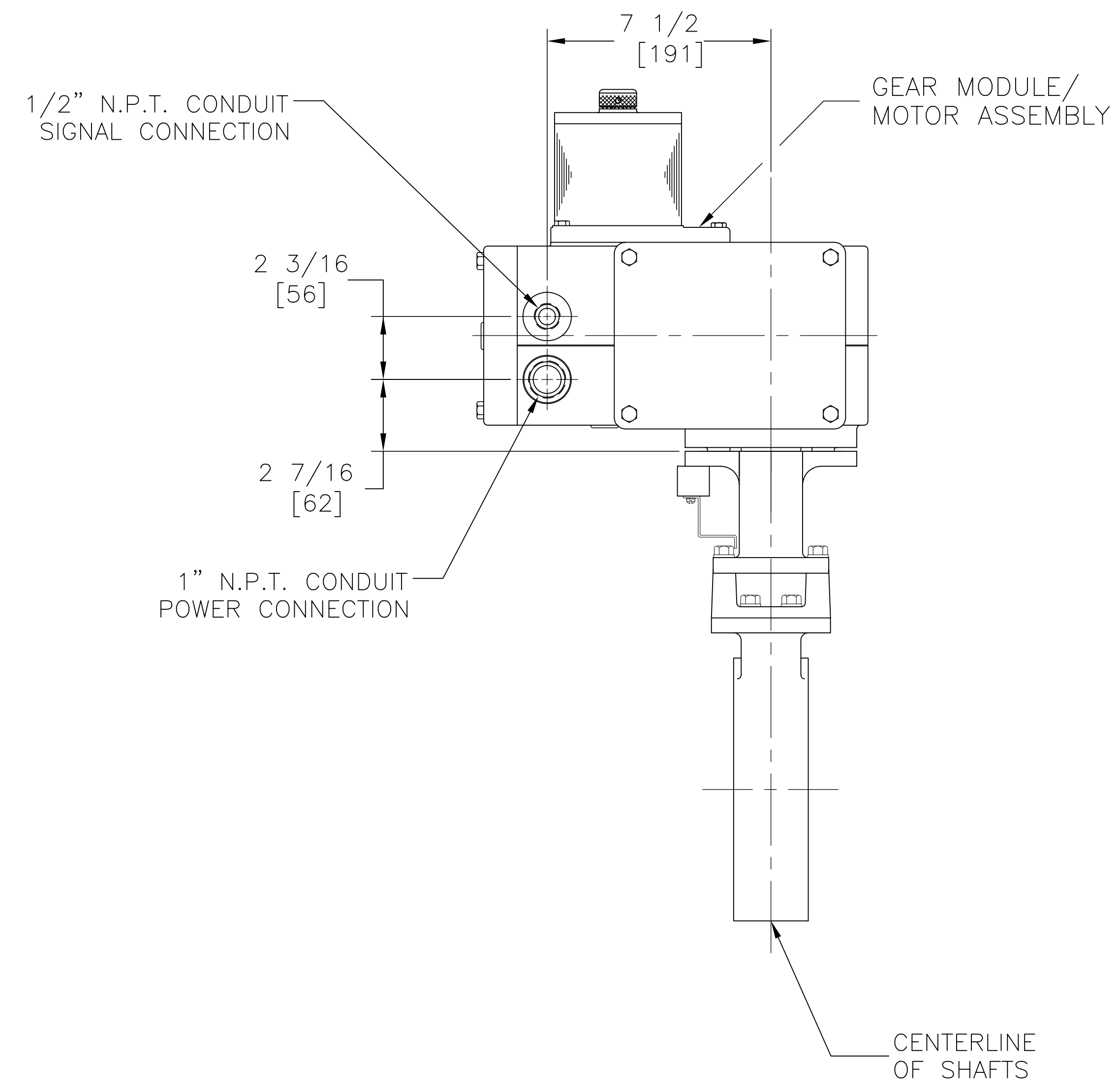
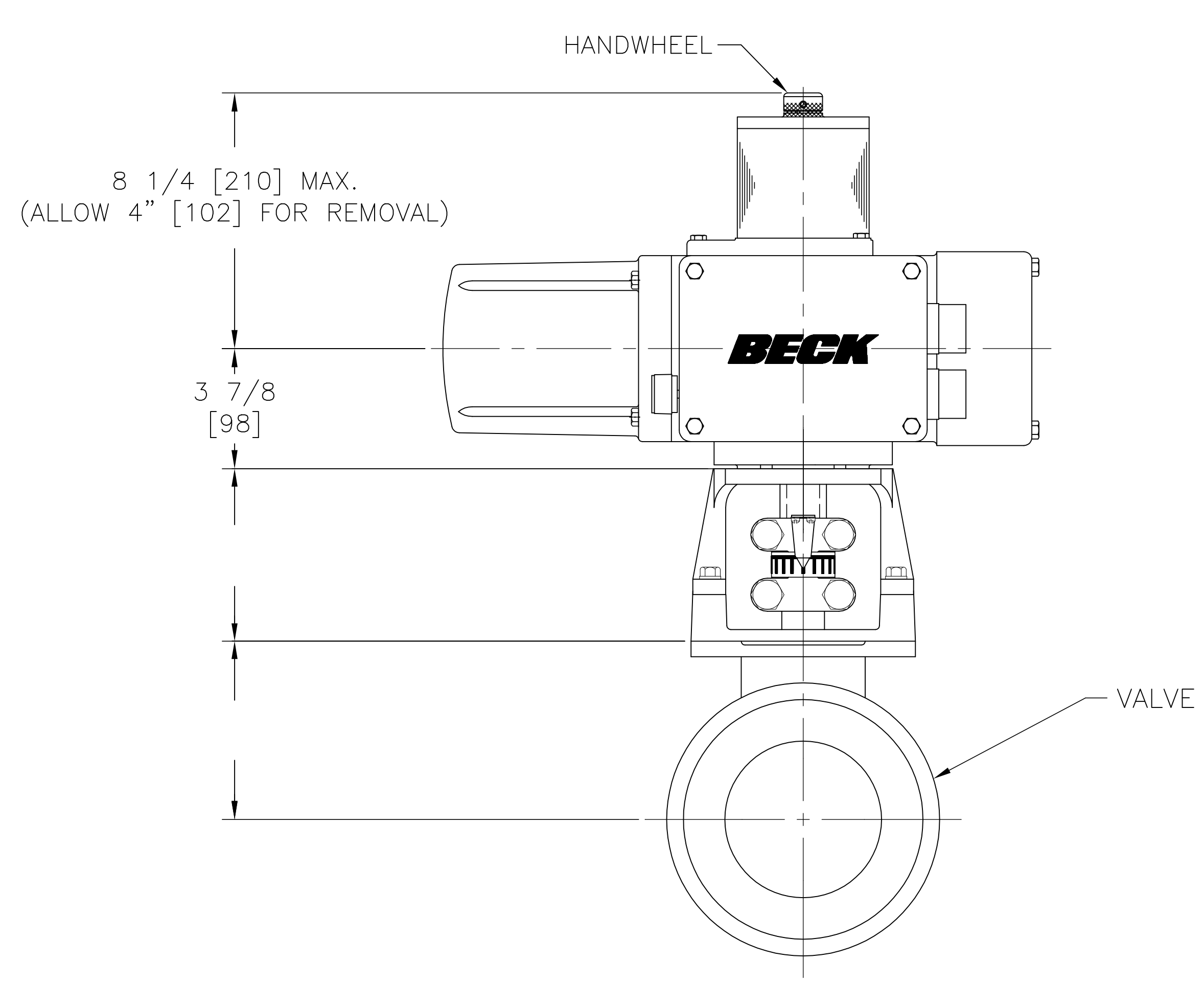


THIS DOCUMENT IS A COPY AND IS NOT THE SOURCE DOCUMENT. INFORMATION IS SUBJECT TO CHANGE WITHOUT NOTICE. THE INFORMATION CONTAINED HEREIN IS COPYRIGHTED BY HAROLD BECK AND SONS, INC. CHANGES TO THE DOCUMENT ARE PROHIBITED. CONTACT A BECK SALES ENGINEER IF A CERTIFIED DRAWING IS REQUIRED.



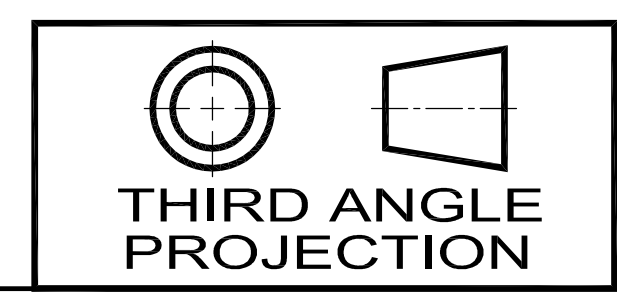
ALL DIMENSIONS ARE IN INCHES AND [MM] UNLESS OTHERWISE SPECIFIED. THREADS AND TAPPED HOLES ARE SPECIFIED AS UNIFIED THREAD SIZES ONLY. CONDUIT PIPE THREADS PER AMERICAN NATIONAL STANDARD TAPER PIPE THREADS (N.P.T.)

RECOMMENDED SCREW TORQUES

	SIZE (IN.)	TORQUE (LB-FT)	TORQUE (Nm)
COVER SCREWS	5/16-18	10	14
MOTOR/GEAR MODULE SCREWS	1/4-20	6	8
BODY SCREWS	5/16-18	10	14
BODY SCREWS	3/8-16	20	27
CONTROL END COVER SCREWS	5/16-18	10	14
COUPLING SCREWS	5/8-18	170*	230*
MOUNTING BRACKET SCREWS (FLAT HEAD)	3/8-16	25	34

NOTES:  
 ALL DIMENSIONS ARE TYPICAL  
 TOLERANCES: ±1/4 [±6]  
 IF SPECIFIC DIMENSIONS ARE REQUIRED, PLEASE CONTACT A FACTORY REPRESENTATIVE  
 \*SCREW TORQUES FOR MOUNTING HARDWARE WILL BE SUPPLIED WITH SPECIFIC VMS.  
 DRIVE MAY BE ROTATED AROUND THE VALVE IN 90° INCREMENTS

18-2160-02o



**HAROLD BECK & SONS INC**  
 NEWTOWN INDUSTRIAL COMMONS NEWTOWN, PENNSYLVANIA 18940 USA

TITLE: **OUTLINE DIMENSIONS FOR UNITIZED ASSEMBLY OF BECK 11-160 HOLLOW SHAFT DRIVE AND TYPICAL VALVE**

DRAWN: DWK 11-5-07	SCALE: NONE	DRAWING NO: <b>18-2160-02o</b>	REV: <b>A</b>
CHECKED: DMS 11-9-07			
APPROVED: JHM 11-12-07		SHEET NO. 1 OF 1	