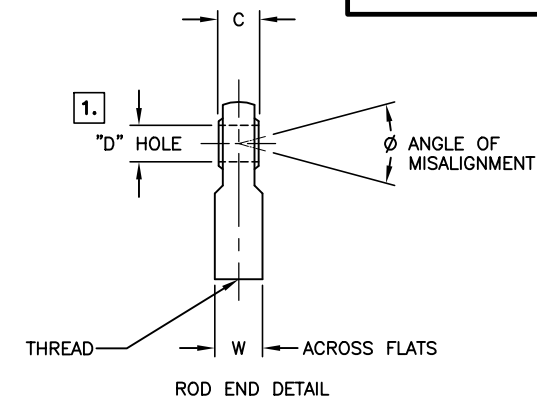
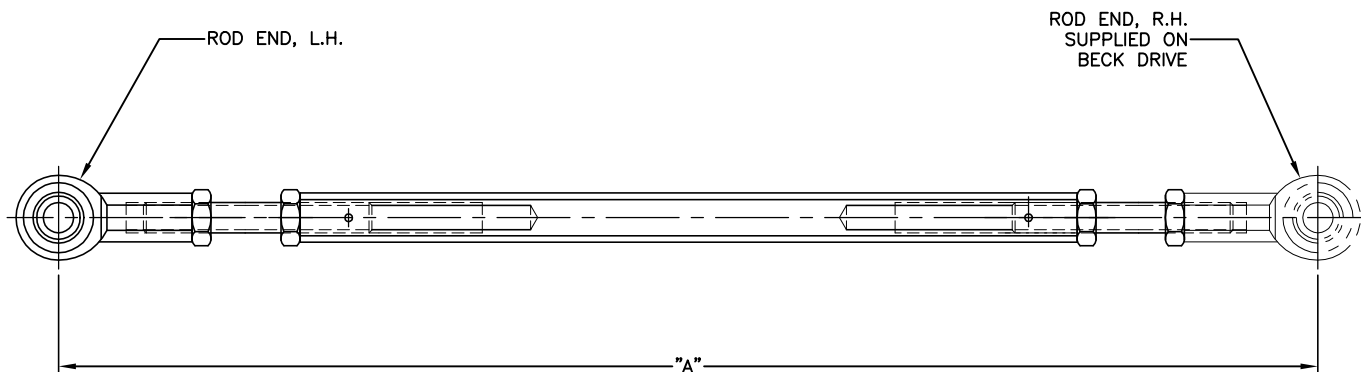


THIS DOCUMENT IS A COPY AND IS NOT THE SOURCE DOCUMENT. INFORMATION IS SUBJECT TO CHANGE WITHOUT NOTICE. THE INFORMATION CONTAINED HEREIN IS COPYRIGHTED BY HAROLD BECK AND SONS, INC. CHANGES TO THE DOCUMENT ARE PROHIBITED. CONTACT A BECK SALES ENGINEER IF A CERTIFIED DRAWING IS REQUIRED.



1. TOLERANCE ON "D" HOLE MAY BE TIGHTER THAN STANDARD FASTENER BODY DIAMETER TOLERANCE. SELECT FASTENER TO FIT WITH MINIMUM CLEARANCE IN ROD END.
2. ALL DIMENSIONS ARE IN INCHES AND [MM] UNLESS OTHERWISE SPECIFIED. THREADS AND TAPPED HOLES ARE SPECIFIED AS UNIFIED THREAD SIZES ONLY.

| BECK DRIVE MODEL NUMBER | ROD END THREAD | HEX. SIZE | LINKAGE LENGTH RANGE "A" | | LINKAGE KIT PART NUMBER | APPROX. WEIGHT LBS. [KGS.] | ROD END DATA | | | |
|-------------------------|----------------|--------------|--------------------------|--------------|-------------------------|----------------------------|---------------|---------------|-----|---------------|
| | | | MIN. | MAX. | | | C | "D" HOLE | Ø | W |
| G-31 | 5/16-24 | 7/16 [11.11] | 9 [228.6] | 12 [304.8] | 14-7990-22 | 1/2 [.2] | .437 [11.113] | .312 [7.938] | 14° | .437 [11.113] |
| | | | 12 [304.8] | 15 [381.0] | 14-7990-24 | 1/2 [.2] | | | | |
| | | | 15 [381.0] | 18 [457.2] | 14-7990-26 | 3/4 [.3] | | | | |
| | | | 18 [457.2] | 21 [533.4] | 14-7990-10 | 1 [.5] | | | | |
| 11-150 | 1/2-20 | 5/8 [15.88] | 9 [228.6] | 11.5 [292.1] | 14-8300-22 | 1 [.5] | .625 [15.875] | .500 [12.700] | 12° | .750 [19.050] |
| | | | 10.6 [269.2] | 14.6 [370.8] | 14-8300-32 | 1 [.5] | | | | |
| | | | 14.5 [368.3] | 18.5 [469.9] | 14-8300-04 | 1 [.5] | | | | |
| | | | 18 [457.2] | 22 [558.8] | 14-8300-06 | 2 [.9] | | | | |
| | | | 22 [558.8] | 26 [660.4] | 14-8300-16 | 2 [.9] | | | | |
| 11-200 | 1/2-20 | 5/8 [15.88] | 9 [228.6] | 11.5 [292.1] | 14-8300-22 | 1 [.5] | .625 [15.875] | .500 [12.700] | 12° | .750 [19.050] |
| | | | 10.6 [269.2] | 14.6 [370.8] | 14-8300-32 | 1 [.5] | | | | |
| | | | 14.5 [368.3] | 18.5 [469.9] | 14-8300-04 | 1 [.5] | | | | |
| | | | 18 [457.2] | 22 [558.8] | 14-8300-06 | 2 [.9] | | | | |
| | | | 22 [558.8] | 26 [660.4] | 14-8300-16 | 2 [.9] | | | | |
| 11-300 | 5/8-18 | 1 [25.40] | 13.5 [342.9] | 18 [457.2] | 14-8860-24 | 2 [.9] | .750 [19.050] | .625 [15.875] | 16° | .875 [22.225] |
| | | | 17.5 [444.5] | 22 [558.8] | 14-8860-08 | 3 [1.4] | | | | |
| | | | 22 [558.8] | 26.5 [673.1] | 14-8860-02 | 4 [1.8] | | | | |
| | | | 26.5 [673.1] | 31 [787.4] | 14-8860-04 | 5 [2.3] | | | | |
| 11-400 | 3/4-16 | 1 [25.40] | 13.5 [342.9] | 17.5 [444.5] | 15-0110-26 | 3 [1.4] | .875 [22.225] | .750 [19.050] | 14° | 1 [25.400] |
| | | | 18 [457.2] | 22 [558.8] | 15-0110-20 | 4 [1.8] | | | | |
| | | | 22 [558.8] | 26 [660.4] | 15-0110-03 | 5 [2.3] | | | | |
| | | | 26 [660.4] | 30 [762.0] | 15-0110-22 | 6 [2.7] | | | | |
| | | | 29 [736.6] | 33 [838.2] | 15-0110-02 | 7 [3.2] | | | | |



SIZE: C

HAROLD BECK & SONS INC

NEWTOWN INDUSTRIAL COMMONS NEWTOWN, PENNSYLVANIA 18940 USA

TITLE: ASSEMBLY SELECTION CHART
HEX LINKAGE KIT

| | | | |
|------------------------|-------------|-------------------------|--------|
| DRAWN: DMS 11-9-07 | SCALE: NONE | DRAWING NO: 18-9000-010 | REV: F |
| CHECKED: GMD 11-12-07 | | | |
| APPROVED: JHM 11-12-07 | | SHEET NO. 1 OF 1 | |

18-9000-010