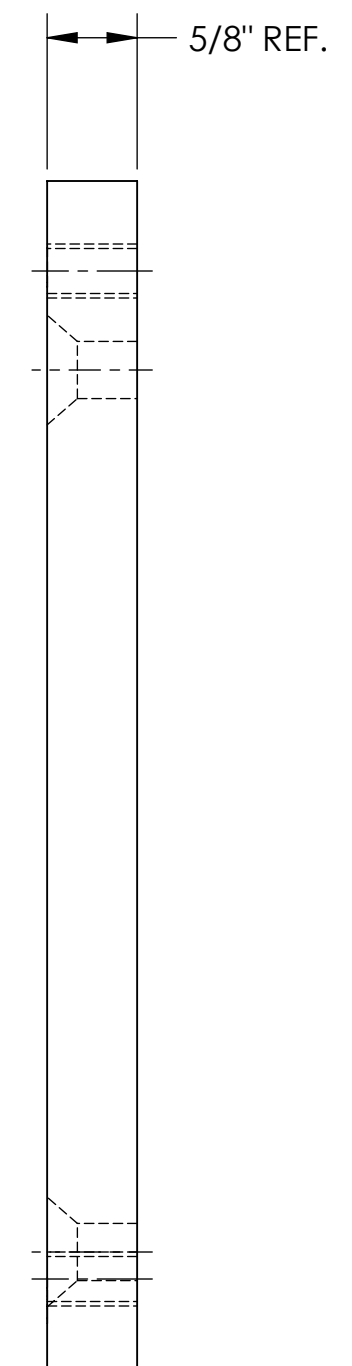
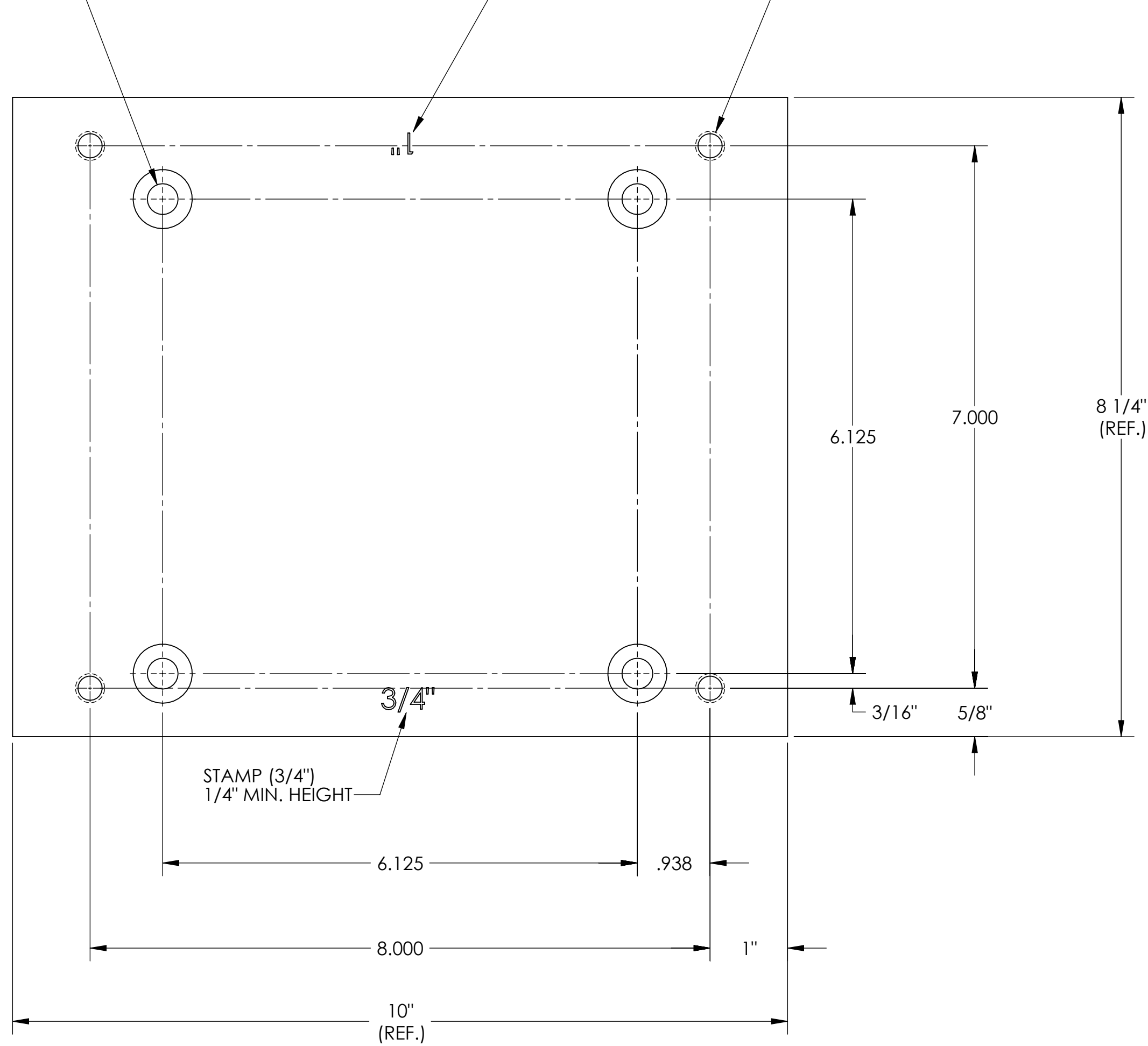


THIS DOCUMENT IS A COPY AND IS NOT THE SOURCE DOCUMENT. INFORMATION IS SUBJECT TO CHANGE WITHOUT NOTICE. THE INFORMATION CONTAINED HEREIN IS COPYRIGHTED BY HAROLD BECK AND SONS, INC. CHANGES TO THE DOCUMENT ARE PROHIBITED. CONTACT A BECK SALES ENGINEER IF A CERTIFIED DRAWING IS REQUIRED.

Ø 13/32 THRU
C'SINK Ø 51/64 x 82°
(4) PLACES

STAMP (1")
1/4 MIN. HEIGHT

3/8-16 UNC TH'D. THRU
(4) PLACES



NOTE:

1. FINISH: PRIME PER BECK SPEC. L-9007.
PAINT PER BECK SPEC. L-9008, COLOR GRAY.
DO NOT PAINT THREADED HOLES.

SIZE:
C

HAROLD BECK & SONS INC.			
<small>NEWTOWN INDUSTRIAL COMMONS NEWTOWN, PENNSYLVANIA 18940 USA</small>			
TITLE: MOUNTING PLATE, ADAPTOR BECK 11-100 DRIVE TO A BECK 11-150			
DRAWN: DMS 4-14-08	SCALE: NONE	DRAWING NO: 20-2810-01o	REV: D
CHECKED: DWK 4-14-08			
APPROVED: JHM 4-14-08		SHEET NO. 1 OF 1	

20-2810-01o