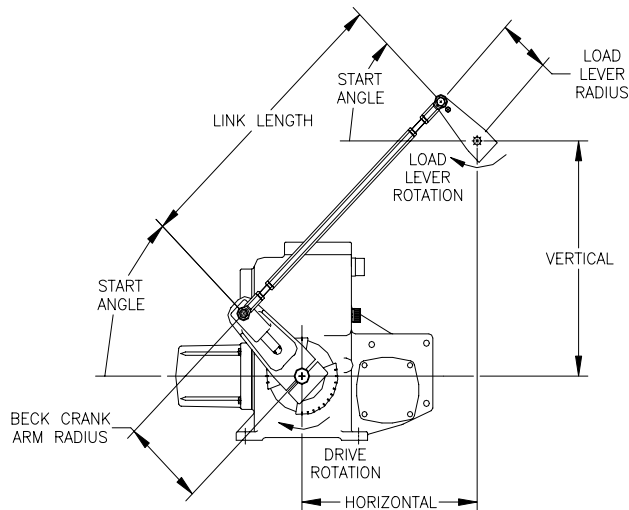


YOUR Facility Information

References:
 YOUR Desired Reference Info

LINK-ASSIST DATA SHEET

Note:
 SAMPLE LINK-ASSIST REPORT



Note: Diagram is not drawn to scale - for reference only

BECK CONTROL DRIVE DATA

Model Number: 11-409
 Rated Torque: 1800 lb-ft

LINKAGE DATA

Horizontal Offset. (H): 24.00 inches
 Vertical Offset..... (V): 36.00 inches
 Connecting Link Length (A): 44.13 inches

BECK CRANK ARM DATA

Required Rotation: 100 degrees
 Start Position...: 1 degrees
 Radius (C): 8.99 inches

LOAD LEVER ARM DATA

Required Rotation: 90 degrees
 Start Position...: 10 degrees
 Radius (L): 10.00 inches

CONTROL DRIVE CRANK ARM ROTATION Degrees	LOAD LEVER ARM ROTATION degrees	LOAD LEVER TORQUE lb-ft	LOAD LEVER/ CRANK ARM TORQUE RATIO	LINK FORCE lbs
0.0	0.0	2163	1.20	2792
10.0	8.5	2085	1.16	2572
20.0	17.2	2033	1.13	2449
30.0	26.2	1998	1.11	2403
40.0	35.2	1975	1.10	2429
50.0	44.4	1960	1.09	2531
60.0	53.6	1951	1.08	2726
70.0	62.8	1951	1.08	3053
80.0	72.0	1962	1.09	3592
90.0	81.1	1994	1.11	4533
100.0	90.0	2088	1.16	6420