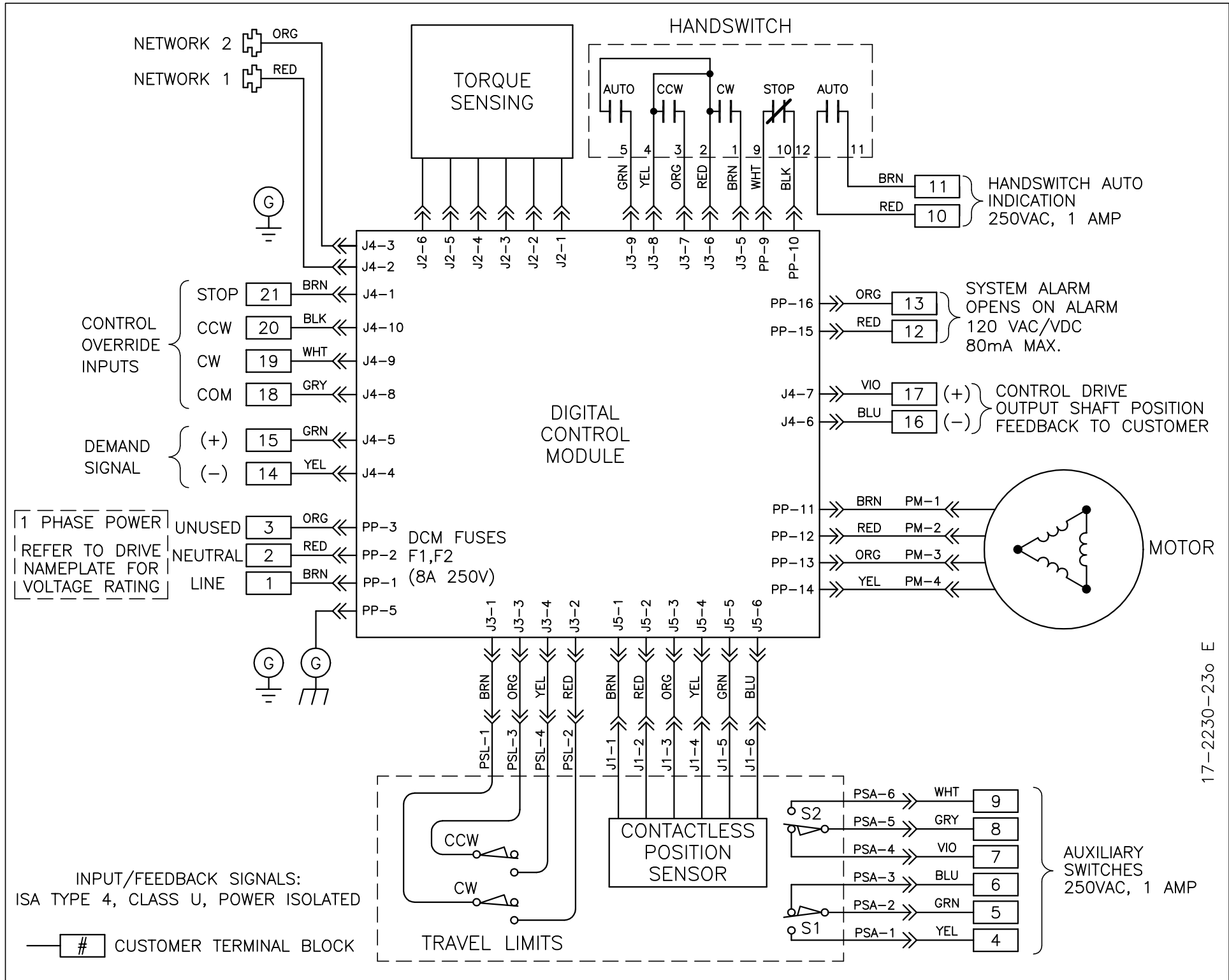


THIS DOCUMENT IS A COPY AND IS NOT THE SOURCE DOCUMENT. INFORMATION IS SUBJECT TO CHANGE WITHOUT NOTICE. THE INFORMATION CONTAINED HEREIN IS COPYRIGHTED BY HAROLD BECK AND SONS, INC. CHANGES TO THE DOCUMENT ARE PROHIBITED. CONTACT A BECK SALES ENGINEER IF A CERTIFIED DRAWING IS REQUIRED.



INPUT/FEEDBACK SIGNALS:  
ISA TYPE 4, CLASS U, POWER ISOLATED

# CUSTOMER TERMINAL BLOCK

SIZE:  
**B**

**HAROLD BECK & SONS INC**  
NEWTOWN INDUSTRIAL COMMONS NEWTOWN, PENNSYLVANIA 18940 USA

TITLE:  
**WIRING DIAGRAM  
GROUP 22-300 CUSTOMER CONNECTIONS  
2 AUXILIARY SWITCHES**

DRAWN: GMD 8/29/07	SCALE: NONE	DRAWING NO: <b>17-2230-230</b>	REV: <b>E</b>
CHECKED: CHH 10/15/07		SHEET NO. 1 OF 1	
APPROVED: JHM 10/16/07			