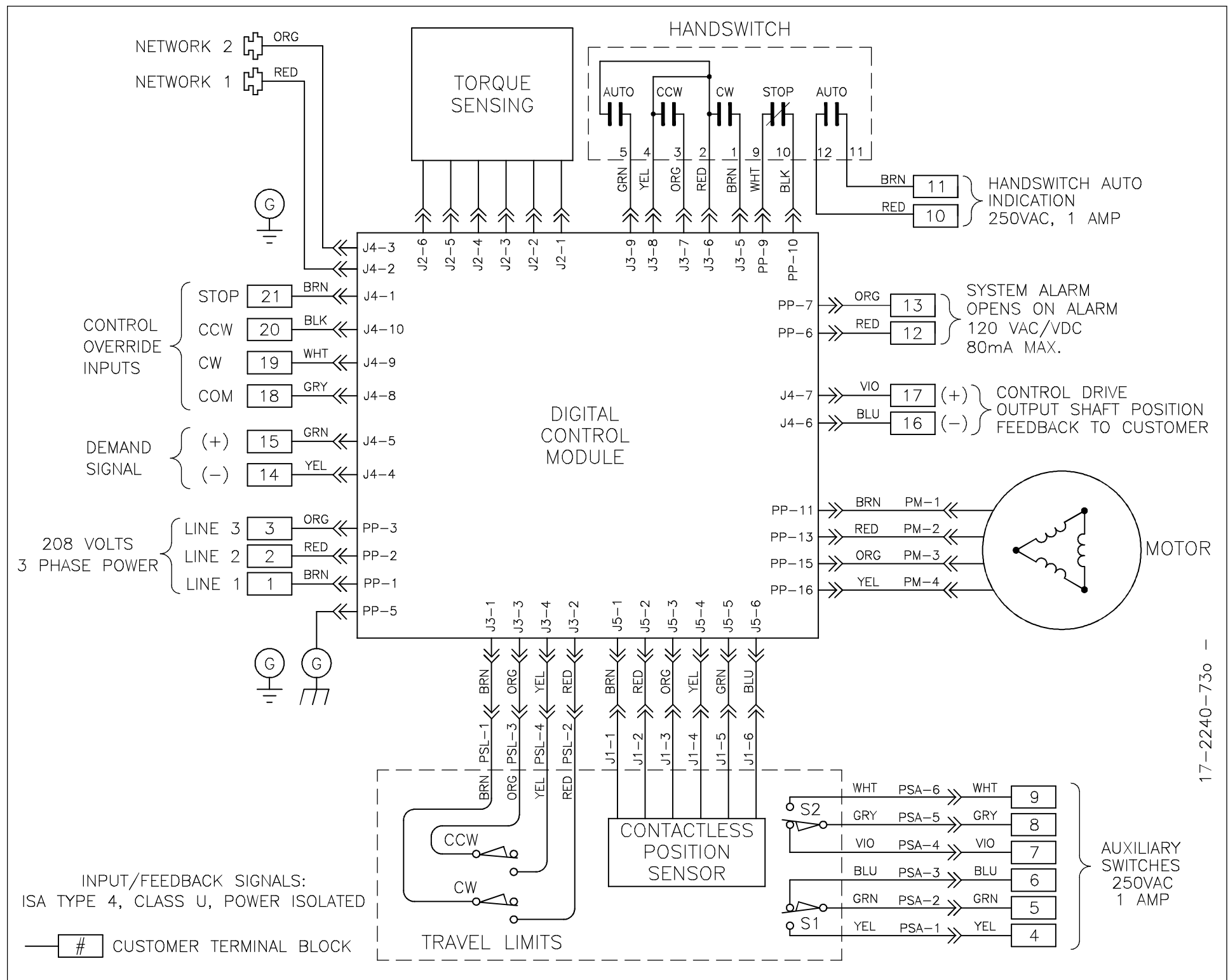


THIS DOCUMENT IS A COPY AND IS NOT THE SOURCE DOCUMENT. INFORMATION IS SUBJECT TO CHANGE WITHOUT NOTICE. THE INFORMATION CONTAINED HEREIN IS COPYRIGHTED BY HAROLD BECK AND SONS, INC. CHANGES TO THE DOCUMENT ARE PROHIBITED. CONTACT A BECK SALES ENGINEER IF A CERTIFIED DRAWING IS REQUIRED.



17-2240-730

SIZE:
B

HAROLD BECK & SONS INC

NEWTOWN INDUSTRIAL COMMONS NEWTOWN, PENNSYLVANIA 18940 USA

TITLE:
WIRING DIAGRAM
GROUP 22-400 CUSTOMER CONNECTIONS
2 AUXILIARY SWITCHES, QCSw

DRAWN: CHH 2-19-14	SCALE: NONE	DRAWING NO: 17-2240-730	REV: -
CHECKED: BDP 2-19-14		SHEET NO. 1 OF 1	
APPROVED: HHS 2/20/14			