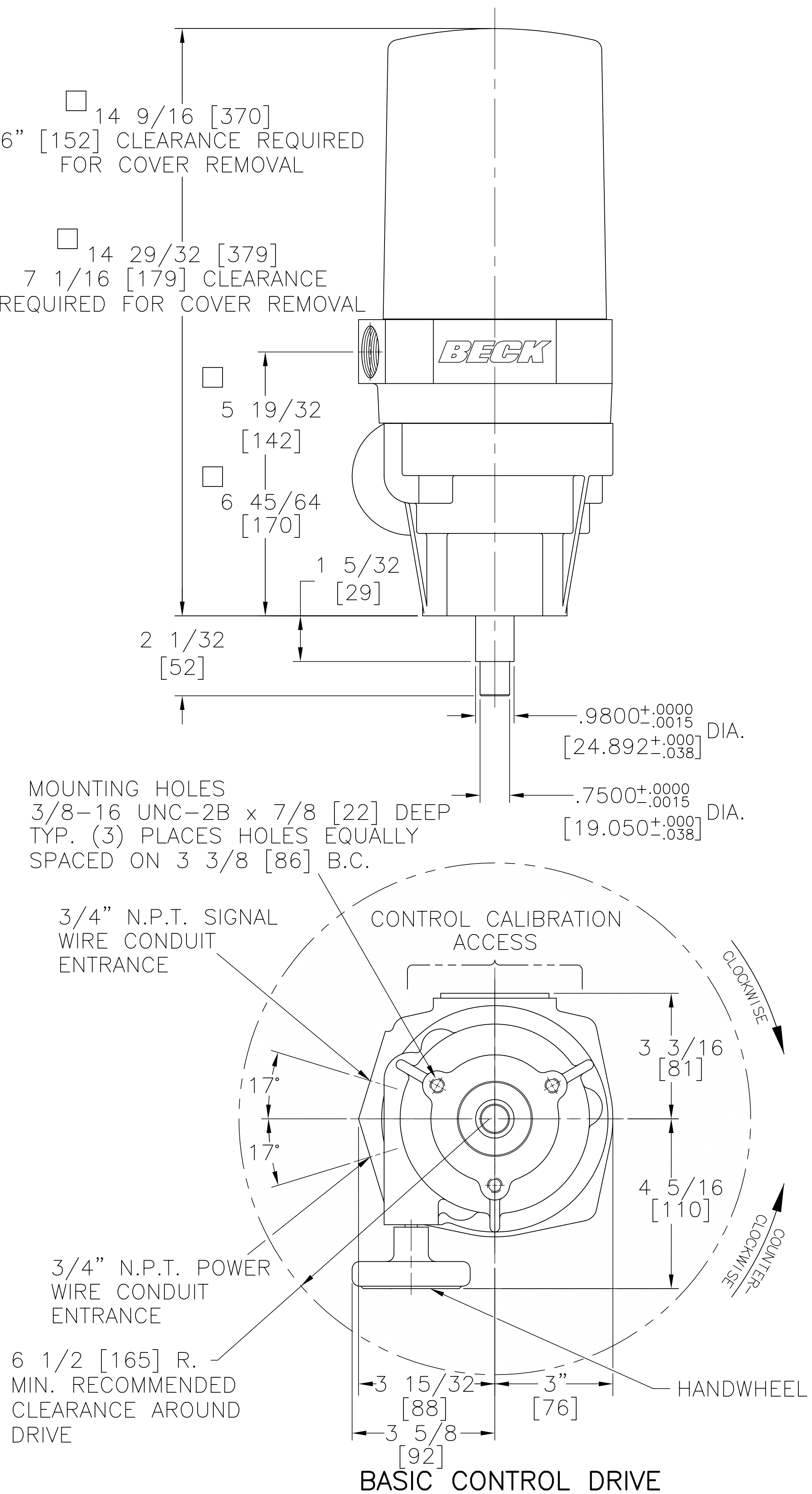
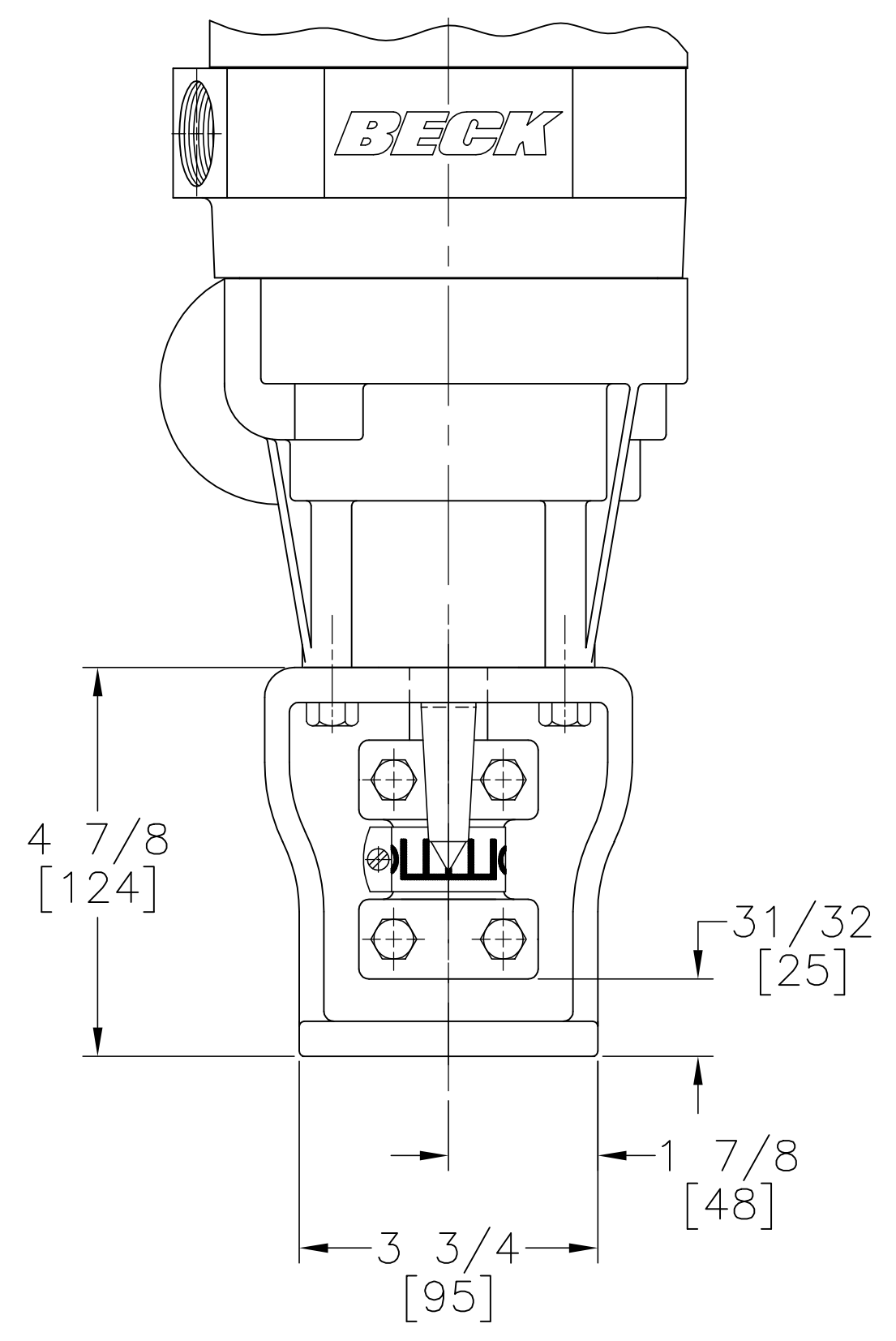


ALL DIMENSIONS ARE IN INCHES AND [MM] UNLESS OTHERWISE SPECIFIED. THREADS AND TAPPED HOLES ARE SPECIFIED AS UNIFIED THREAD SIZES ONLY. CONDUIT PIPE THREADS PER AMERICAN NATIONAL STANDARD TAPER PIPE THREADS (N.P.T.)

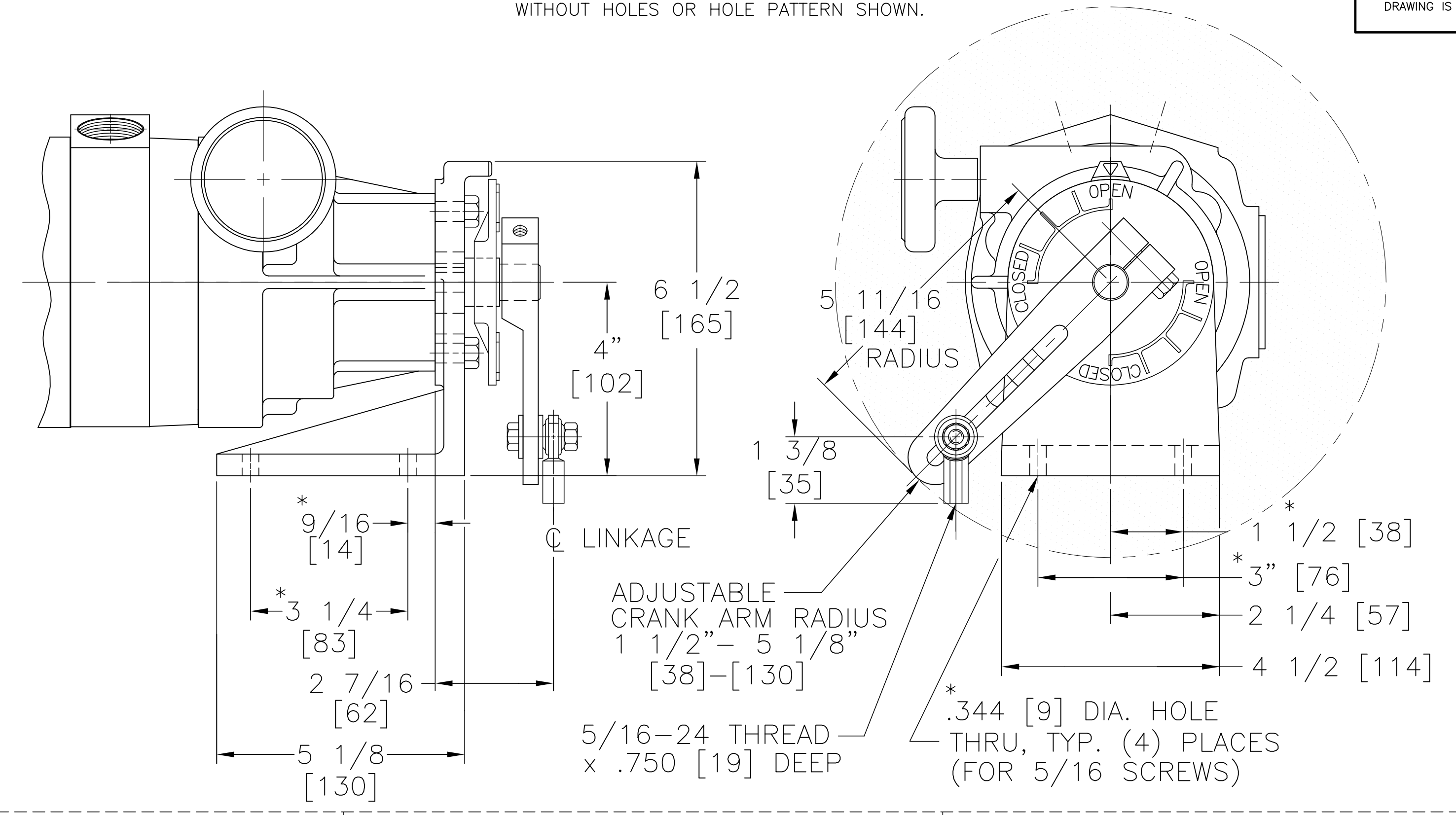


□ MOUNTING OPTION A

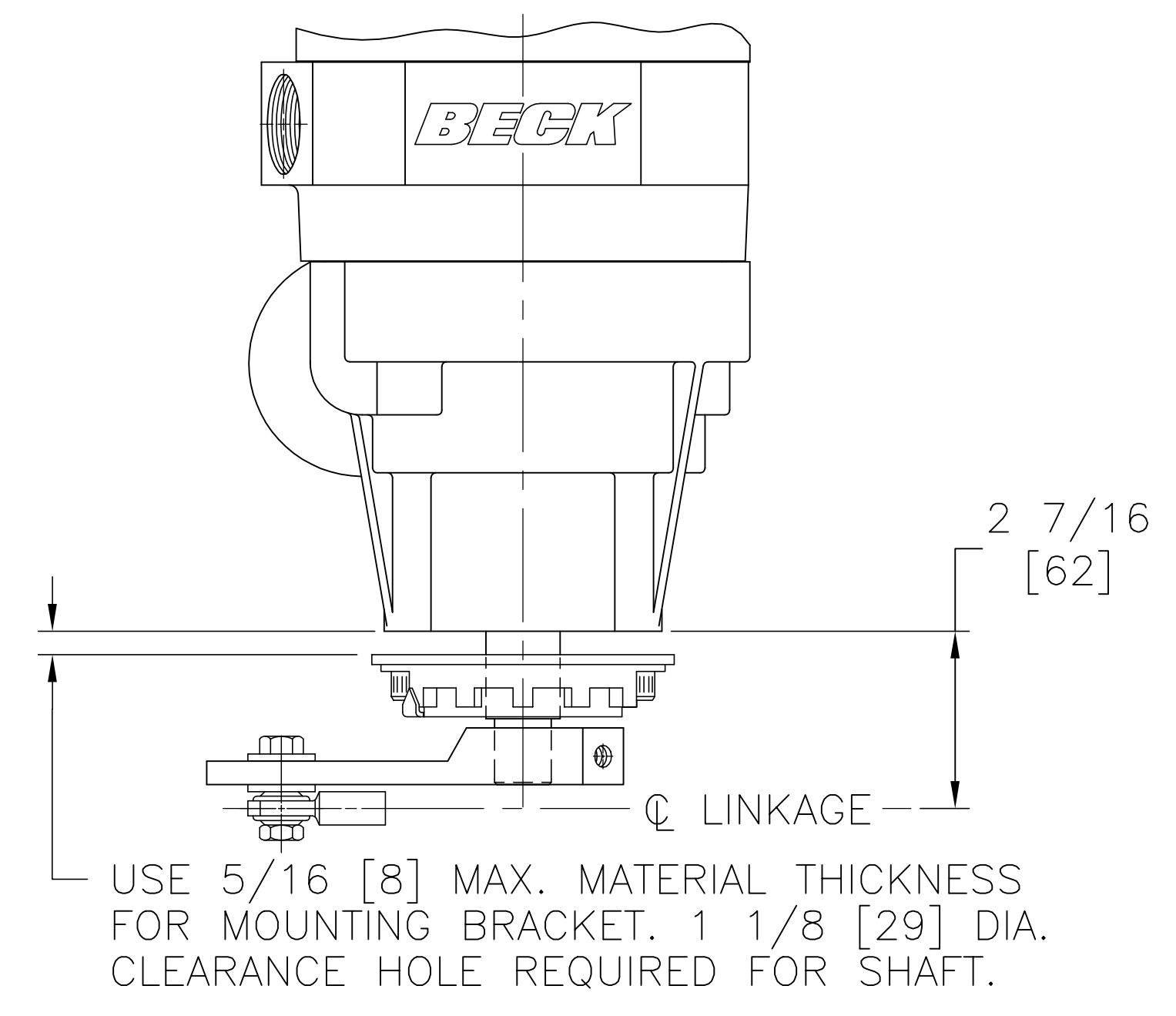


□ MOUNTING OPTION B

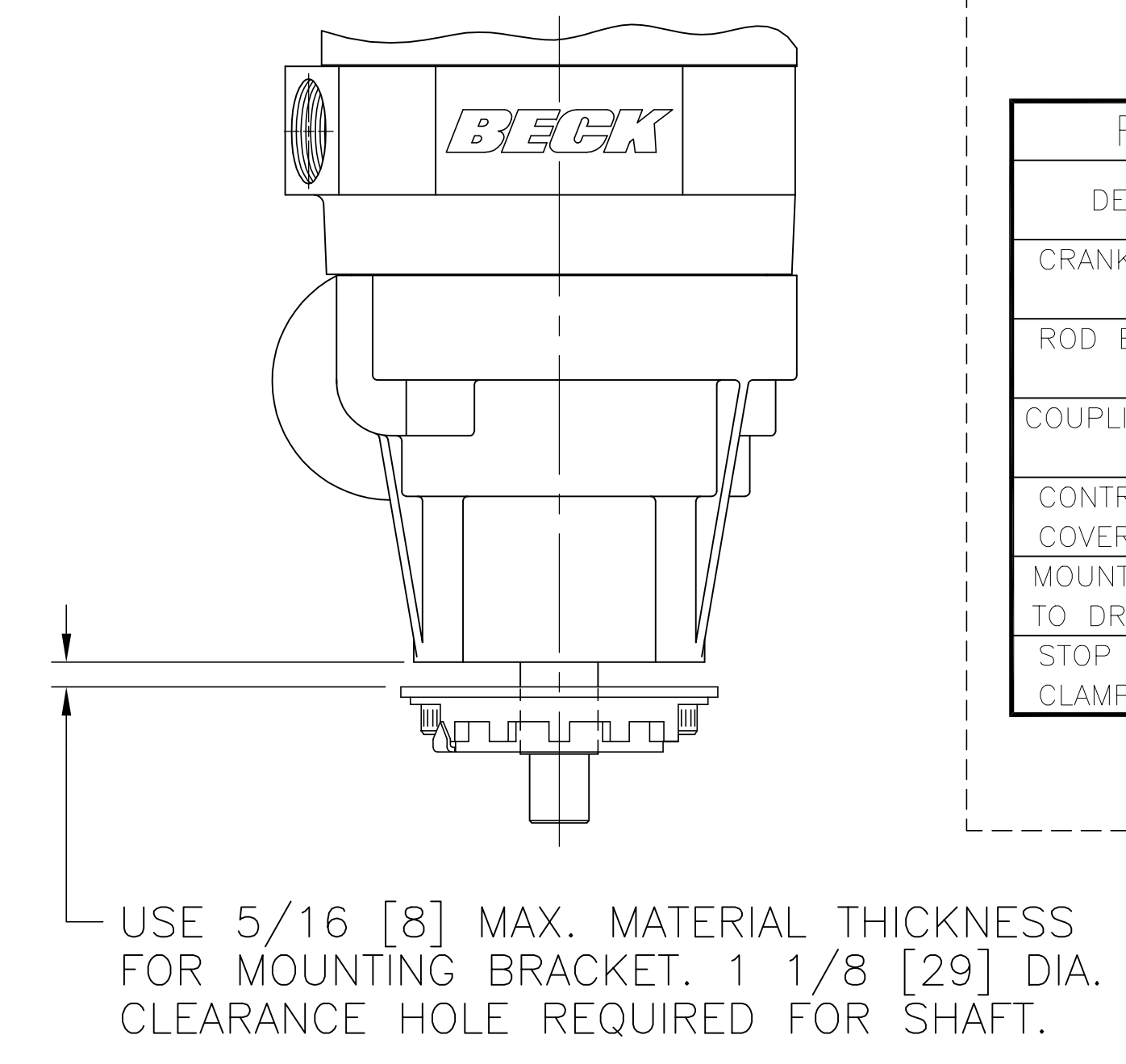
*STANDARD BRACKET CAN BE SUPPLIED WITHOUT HOLES OR HOLE PATTERN SHOWN.



□ MOUNTING OPTION C



□ MOUNTING OPTION D



RECOMMENDED SCREW TORQUES		
DESCRIPTION	SIZE/TYPE	TORQUE LB.-FT./Nm
CRANK ARM SCREW	5/16-24 X 1-3/8" LG HEX HEAD (GRADE 5)	20/27
ROD END SCREW	5/16-24 X 1-3/8" LG HEX HEAD (GRADE 5)	20/27
COUPLING SCREW (4)	3/8-24 X 1 1/4" LG HEX HEAD (GRADE 8)	50/68
CONTROL END COVER SCREW (4)	5/16-18 X 1 1/2" LG HEX HEAD (ST. STEEL)	10/14
MOUNTING BRACKET TO DRIVE SCREW (3)	3/8-16 X 1" LG HEX HEAD (ZINC PLATE)	20/27
STOP COLLAR CLAMP SCREW	3/8-16 X 7/8" LG SOCKET HEAD CAP	22/30

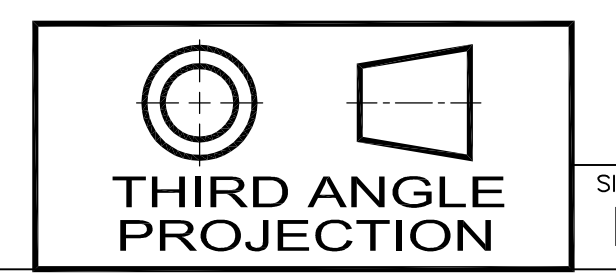
TOLERANCES:
 OUTLINE DIMENSIONS ± 1/4 [±6]
 MOUNTING DIMENSIONS ± 1/64 [±0.4]

THE ORIENTATION BETWEEN THE DRIVE HANDWHEEL AND CONDUIT ENTRANCES MAY BE ROTATED.

THE ORIENTATION BETWEEN THE DRIVE AND MOUNTING BRACKET MAY BE ROTATED.

ALL DIMENSIONS ARE IN INCHES
 METRIC DIMENSIONS AVAILABLE UPON REQUEST

BECK CONTROL DRIVE MODEL NUMBER	TIMING (SEC./90°)	RATED TORQUE LB.-FT./Nm	NET WEIGHT LBS./KGS.	MAXIMUM OVER-HUNG LOAD LBS./KGS.
31-230	18	15/20	36/16	500/227
31-250	24	30/41		
31-330	18	15/20	36/16	500/227
31-350	24	30/41		
31-M30	18	15/20	36/16	500/227
31-M50	24	30/41		



HAROLD BECK & SONS INC
 NEWTOWN INDUSTRIAL COMMONS NEWTOWN, PENNSYLVANIA 18940 USA

TITLE: **OUTLINE DIMENSIONS BECK G-31 DRIVE**

DRAWN: DMS 11-7-07	SCALE: NONE	DRAWING NO: 18-0031-010	REV: E
CHECKED: DWK 11-12-07			
APPROVED: JHM 11-12-07		SHEET NO. 1 OF 1	