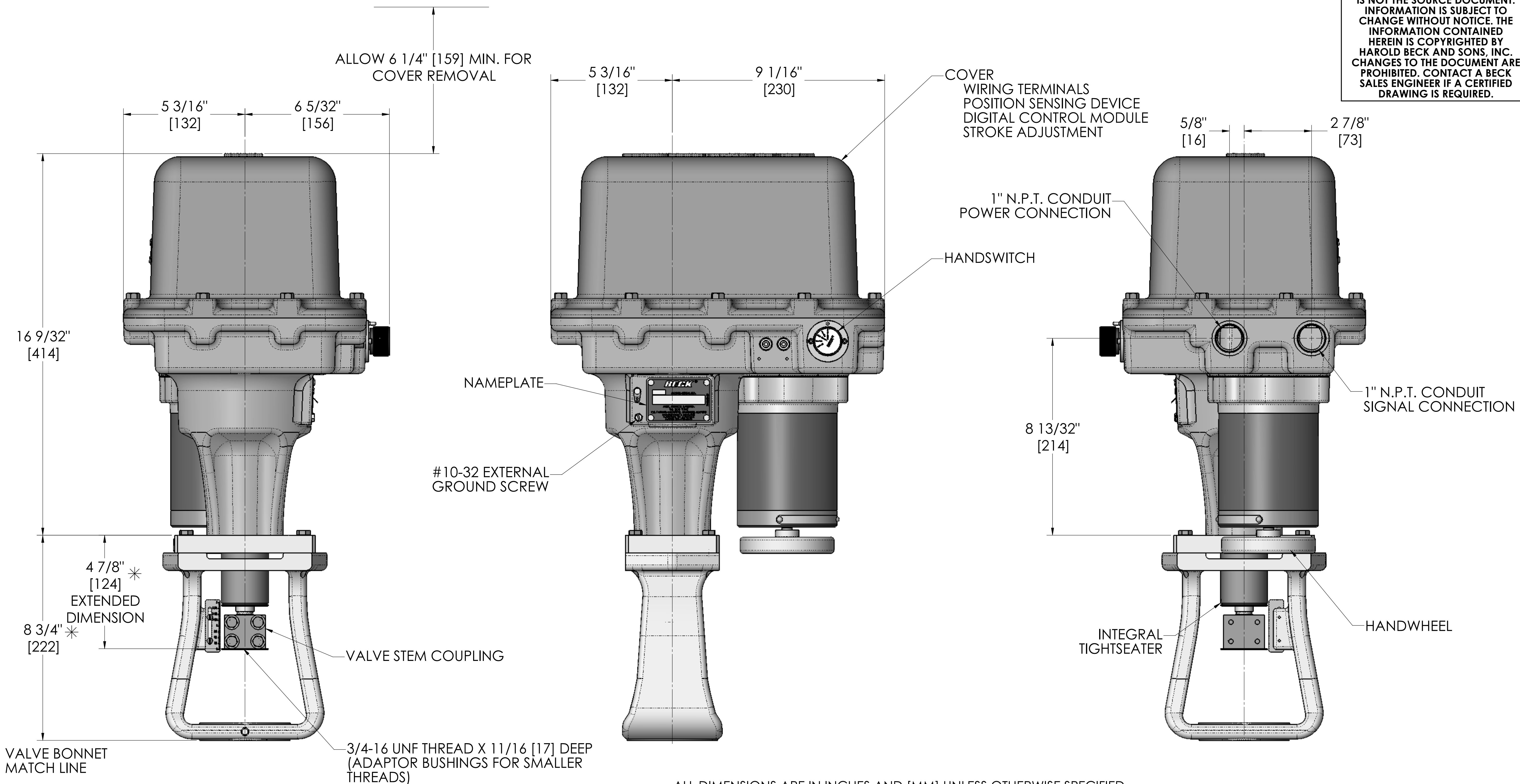
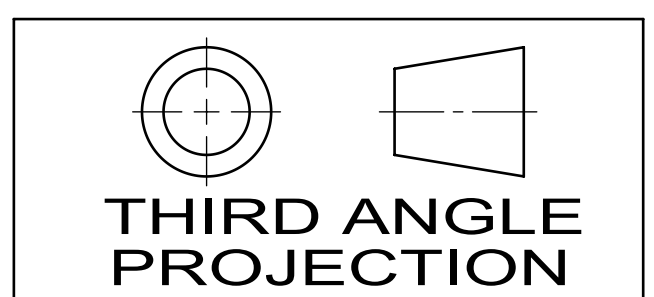


THIS DOCUMENT IS A COPY AND IS NOT THE SOURCE DOCUMENT. INFORMATION IS SUBJECT TO CHANGE WITHOUT NOTICE. THE INFORMATION CONTAINED HEREIN IS COPYRIGHTED BY HAROLD BECK AND SONS, INC. CHANGES TO THE DOCUMENT ARE PROHIBITED. CONTACT A BECK SALES ENGINEER IF A CERTIFIED DRAWING IS REQUIRED.



ALL DIMENSIONS ARE IN INCHES AND [MM] UNLESS OTHERWISE SPECIFIED. THREADS AND TAPPED HOLES ARE SPECIFIED AS UNIFIED THREAD SIZES ONLY. CONDUIT PIPE THREADS PER AMERICAN NATIONAL STANDARD TAPER PIPE THREADS (N.P.T.)

TOLERANCE:  
ALL DIMENSIONS  $\pm 1/4"$  [ $\pm 6$ ]  
THE ORIENTATION BETWEEN THE DRIVE AND MOUNTING YOKE MAY NOT BE ROTATED.  
\* TYPICAL, MOUNTING FEATURE MAY VARY PER APPLICATION.



BECK DRIVE MODEL NO.	DRIVE SHAFT TRAVEL RANGE	APPROX. WEIGHT LBS./KGS.
29-100	1/2"-2" [13-51]	94/43

FASTENER GUIDE		
	SIZE (IN.)	TORQUE LB.-FT./Nm
COVER SCREWS	5/16-18	14/19
MOTOR SCREWS	5/16-18	11/15

18-2910-01o

**HAROLD BECK & SONS INC.**  
NEWTOWN INDUSTRIAL COMMONS NEWTOWN, PENNSYLVANIA 18940 USA

TITLE: **OUTLINE DIMENSIONS 29-100 DRIVES**

DRAWN: DMS 11-07-07	SCALE: NONE	DRAWING NO: 18-2910-01o	REV: D
CHECKED: DWK 11-12-07			
APPROVED: JHM 11-12-07		SHEET NO. 1 OF 1	

SIZE: D