

80-0020-62

Rev. 01.1

SUPPLEMENT TO MANUALS:

- 80-1103-00 and
- 80-1100-03



BECK GROUP 11 MODEL OPTION 5 with REMOTELY MOUNTED DCM

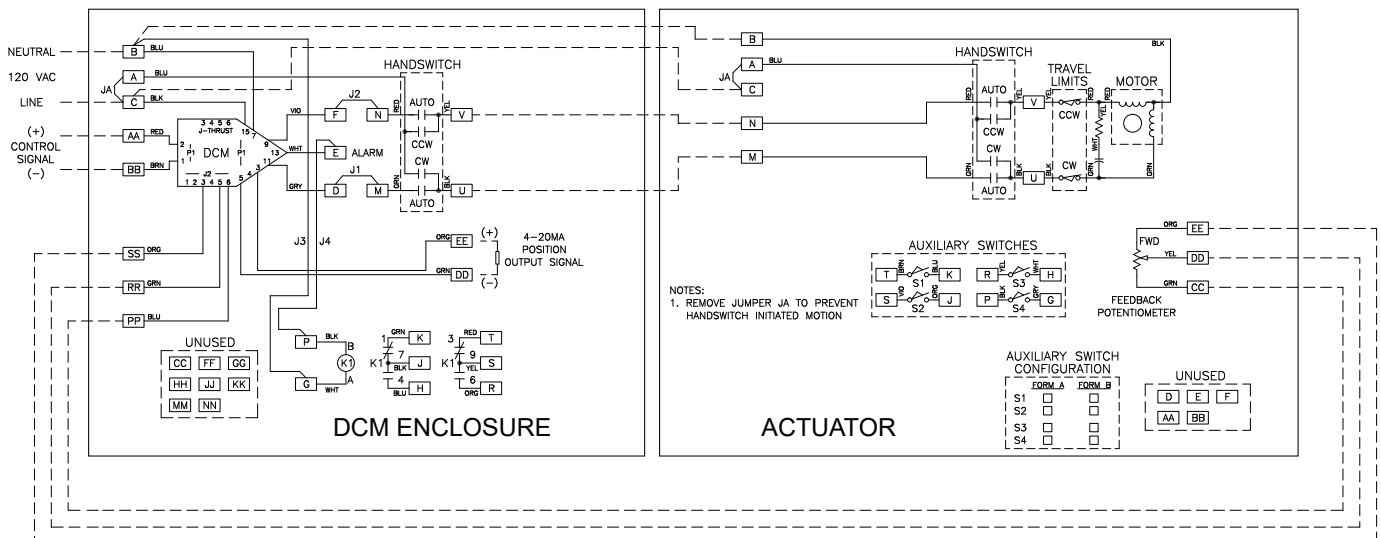
IMPORTANT: Read this Supplement and the Instruction Manuals you received with your shipment prior to installing or performing any maintenance on your actuator.

The separate enclosure which houses the Digital Control Module (DCM) is designed to interface with the Beck Group 11, Option 5 actuator from a remote location. Customer wiring connections should be completed according to the provided wiring diagrams.

The actuator and remote DCM electronics are shipped from the factory setup and calibrated according to customer specifications written into the equipment order and are ready for installation. No adjustments are required before placing the actuator into operation.

In the event that the actuator needs to be recalibrated because application requirements have changed or are different than those specified in the order, refer to the appropriate instruction manual.

Note that the position film potentiometer in the actuator has been factory-calibrated and should not be changed. All calibration and configuration should be accomplished utilizing the DCM smart digital device interfaces (HART, Local pushbuttons or Serial) as described in instruction manual 80-1103-00. Mechanical changes (e.g., mechanical switch adjustments, linkage adjustments, etc.) to the actuator should be made according to instruction manual 80-1100-03. Electrical connections between the actuator and the remote DCM should be made according to the applicable wiring diagram (duplicated in part below). Actuator connections are shown in the wiring diagram provided in the terminal compartment of the actuator.





BECK[®]

HAROLD BECK & SONS, INC.

Made in USA



11 TERRY DRIVE • NEWTOWN, PENNSYLVANIA 18940 • USA
PHONE: 215-968-4600 • FAX: 215-860-6383 • E-MAIL: sales@haroldbeck.com
www.haroldbeck.com